

# MICROPOWER PS400

Thank you for showing your confidence in us by purchasing the MICROPOWER PS400. Use this ultra-compact phantom power supply with mixers and microphone preamplifiers that do not include phantom power sources. The PS400:

- supplies phantom power (+12 V or +48 V) to any type of condenser microphone
- routes the microphone signal to a mixer or a microphone preamplifier

❖ **Please read the safety instructions that appear at the end of this document.**

## Connectors and Control Elements

This section illustrates and describes each PS400 connector and control element.

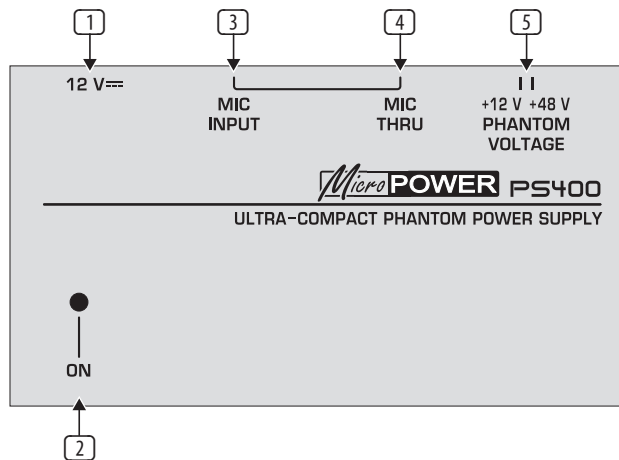


Fig. 1: PS400 connectors and control elements

- 12 V $\overline{\text{=}}$  connector:**  
To connect the power supply unit to the PS400, use the 12 V connector. Connecting the power supply unit to the mains automatically switches the PS400 on. To disconnect the unit from the mains, pull out the main cord plug.
- ON LED:**  
As soon as the unit is connected to the mains, the ON LED is illuminated.
- MIC INPUT connector:**  
To send a microphone signal to the PS400, you need an audio cable that includes XLR connectors. Plug:
  - one XLR connector into the MIC INPUT connector
  - the other XLR connector into the condenser microphone

- MIC THRU connector:**  
To route the microphone signal from the PS400 to a mixer or a microphone preamplifier, you need an audio cable that includes XLR connectors. Plug:
  - one XLR connector into the MIC THRU connector
  - the other XLR connector into the mic input of a mixer or, alternatively a microphone preamplifier
- +12 V / +48 V PHANTOM VOLTAGE switch:**  
To select the voltage that you need, push this switch toward +12 V or, alternatively +48 V. For details about what value to use, refer to instructions from the microphone manufacturer.

**SERIAL NUMBER:** To register the unit, use the serial number that is located on the bottom of the PS400.

## Setup Example

The following is an example of how to set up the PS400:

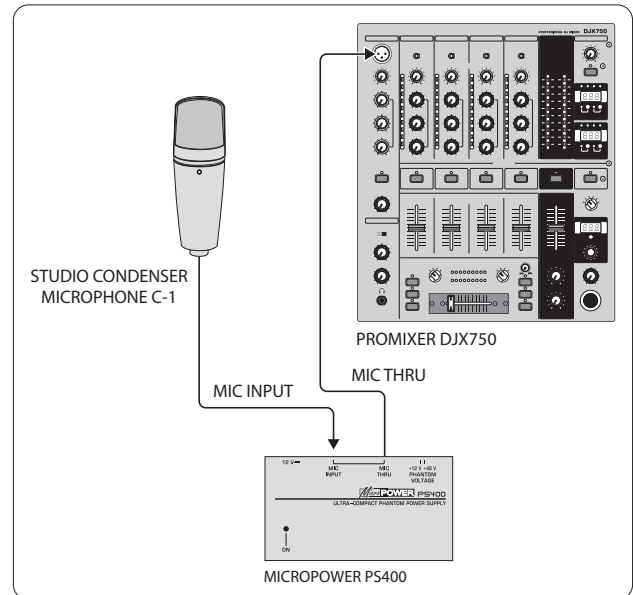


Fig. 2: PS400 setup example

## Specifications

### Mic Input and Mic Thru

Type	XLR connector balanced
------	------------------------

### Phantom Power Supply

Voltage (switchable)	+12 V or +48 V
----------------------	----------------

### Power Supply

Mains connector	external power supply, 12 V $\overline{\text{=}}$ / 150 mA
-----------------	--

### Mains Voltage

USA/Canada	120 V~, 60 Hz
China/Korea	220 V~, 50 Hz
U.K./Australia	240 V~, 50 Hz
Europe	230 V~, 50 Hz
Japan	100 V~, 50 - 60 Hz

Power consumption	approx. 2 W
-------------------	-------------

### Dimensions/Weight

Dimensions (H x D x W)	approx. 2 1/4 x 1 1/4 x 4" (approx. 58 x 32 x 103 mm)
Weight	approx. 0.8 lbs / 0.36 kg

### RU Важные указания по технике безопасности

- 1) Прочитайте эти указания.
- 2) Сохраните эти указания.
- 3) Выполняйте эти указания.
- 4) Следуйте всем инструкциям по обслуживанию.
- 5) Не пользуйтесь прибором в непосредственной близости от воды.
- 6) Протирайте прибор сухой тряпкой.
- 7) Не располагайте прибор рядом с источниками тепла.
- 8) Прокладывайте сетевой кабель таким образом, чтобы он был защищён от обуви и острых кромок и не мог быть повреждён.
- 9) Применяйте только рекомендованные производителем дополнительные приборы/принадлежности.
- 10) Вынимайте вилку из розетки при грозе и длительных перерывах в эксплуатации прибора.
- 11) Поручайте выполнение работ по обслуживанию прибора только квалифицированному персоналу сервисной службы. Техническое обслуживание требуется если прибор был каким-то образом повреждён.

### EN Important Safety Instructions

- 1) Read these instructions.
- 2) Keep these instructions.
- 3) Heed all warnings.
- 4) Follow all instructions.
- 5) Do not use this apparatus near water.
- 6) Clean only with dry cloth.
- 7) Do not block any ventilation openings. Install in accordance with the manufacturer's instructions.
- 8) Do not install near any heat sources such as radiators, heat registers, stoves, or other apparatus (including amplifiers) that produce heat.
- 9) Do not defeat the safety purpose of the polarized or grounding-type plug. A polarized plug has two blades with one wider than the other. A grounding type plug has two blades and a third grounding prong. The wide blade or the third prong are provided for your safety. If the provided plug does not fit into your outlet, consult an electrician for replacement of the obsolete outlet.
- 10) Protect the power cord from being walked on or pinched particularly at plugs, convenience receptacles, and the point where they exit from the apparatus.
- 11) Only use attachments/accessories specified by the manufacturer.
- 12) Use only with the cart, stand, tripod, bracket, or table specified by the manufacturer, or sold with the apparatus. When a cart is used, use caution when moving the cart/apparatus combination to avoid injury from tip-over.
- 13) Unplug this apparatus during lightning storms or when unused for long periods of time.
- 14) Refer all servicing to qualified service personnel. Servicing is required when the apparatus has been damaged in any way, such as power supply cord or plug is damaged, liquid has been spilled or objects have fallen into the apparatus, the apparatus has been exposed to rain or moisture, does not operate normally, or has been dropped.

### ES Instrucciones de seguridad

- 1) Lea las instrucciones.
- 2) Conserve estas instrucciones.
- 3) Preste atención a todas las advertencias.
- 4) Siga todas las instrucciones.
- 5) No use este aparato cerca del agua.
- 6) Limpie este aparato con un paño seco.
- 7) No instale el equipo cerca de fuentes de calor.
- 8) Proteja los cables de suministro de energía de tal forma que no sean pisados o doblados.
- 9) Use únicamente los dispositivos o accesorios especificados por el fabricante.
- 10) Desenchufe el equipo durante tormentas o si no va a utilizarlo durante un periodo largo.
- 11) Confíe las reparaciones únicamente a servicios técnicos cualificados. Se requiere mantenimiento siempre que la unidad haya sufrido algún daño.